



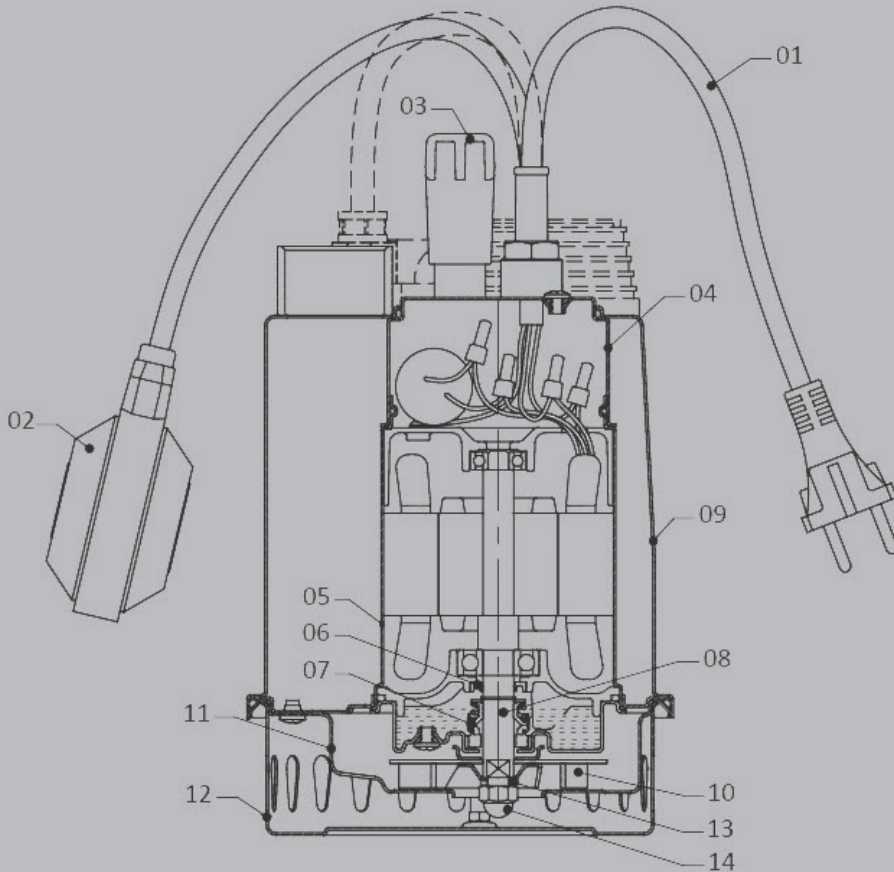
KLEEpump

KX1 series

KLEEpump KXD is a compact, efficient and affordable stainless submersible pump in high quality, which is used for waste water, drains, basement water and garden removal.

The KLEEpump series is our own high-quality brand, and has been developed and tested in collaboration with our manufacturer.

See more at www.klee.dk for our selection of drain and sewage pumps.



Component	Material
1. Cable	07RN-F*
2. Float switch	Plastik
3. Handle	NY66+G30
4. Motorcover	AISI 304
5. Motor housing	AISI 304
6. Oil Seal	NBR
7. Mechanical seal	SIC/SIC
8. Shaft	AISI 410
9. Pump housing	AISI 304
10. Impeller	AISI 304
11. Pump casing	AISI 304
12. Strainer	AISI 304
13. Spring washer	AISI 304
14. Hex Domed Nuts	AISI 304

* 3-phase models use cable type H05RN-F.

Pump (KX1 series)

- Enclosure Protection Class: IP 68
- Protection Device: Thermal Protector (1 phase)
- Insulation Class: F class (155°C)
- Bearing: Double sealed with steel cage
- Mechanical seal: SIC/SIC

Applications

- Light waste water discharge.
- Basement water removal
- Waste water drainage
- Water transfer
- Sump/effluent handling
- Dewatering
- Fountain and landscape

Accessories

- Bottom suction down to 3 mm.

Operation Conditions

Fluid Temperature: 0 to 50°C (122°F) and a maximum depth of 5 metres.

Functions

- 10 m robust EU Schuko plug.
- Double mechanical SIC shaft seal mounted in the oil chamber, which ensures constant lubrication.
- Highly efficient motor with thermal protection, which ensures against wrong operation and increases the service life.
- Two types of automation, also for wells with a small well diameter:
 - A version with with swimming switch with cable.
 - S version with vertical swimming switch.



Model KX1-MS

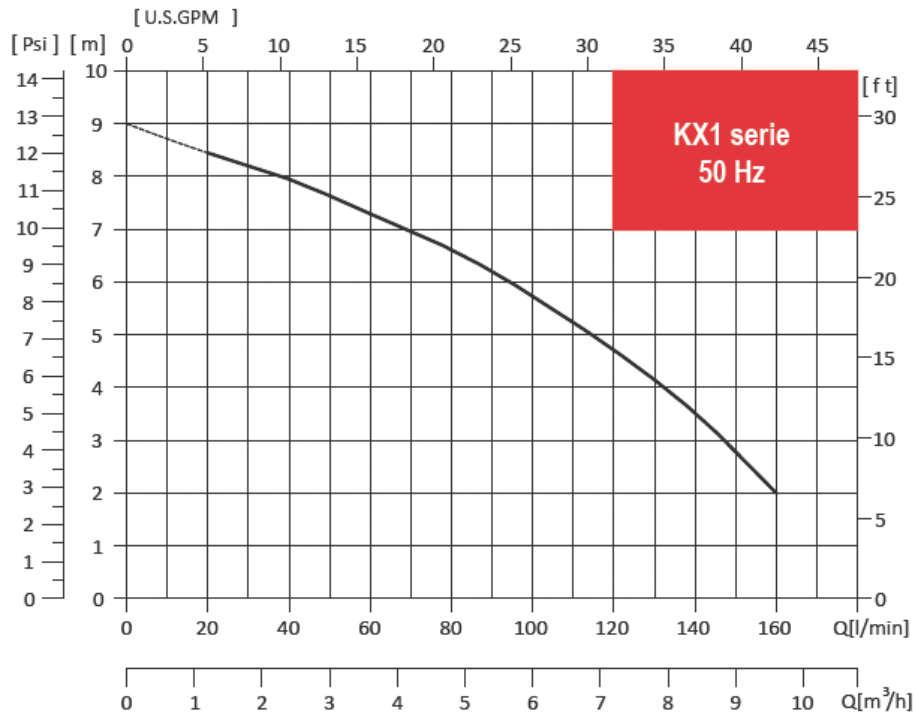
Model KX1-MA

Model KX1-M



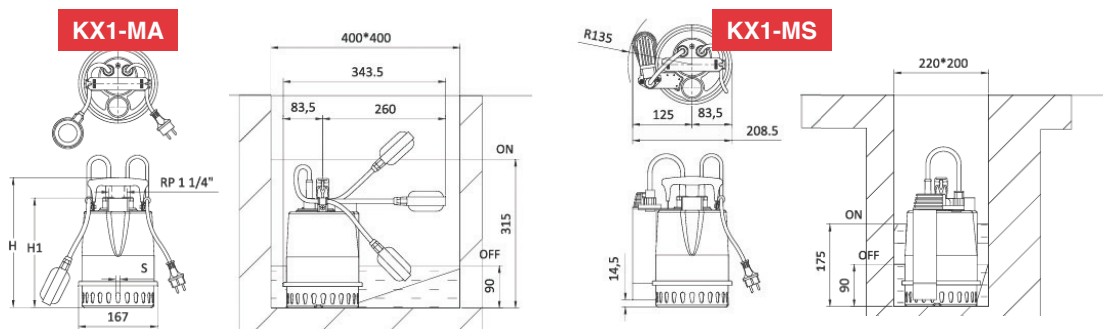
PHASE	1	AR
HEAD MAX	9 M	FLO
ENCLOSURE	IP 68	INSU
R.P.M	2850	OU
TEMPERATURE	50°C	ROTA
TYPE	X 220003383-0008	

KLEEpump - KX1 series



Technical Data

Model KX1, Q = Capacity						
l/min	0	20	40	80	120	160
m ³ /h	0	1.2	2.4	4.8	7.2	9.6
Meters	9.0	8.4	8.0	6.5	4.6	2.0



Specifications

Model	Phase	Current	Power		FLA	Discharge	Weight	Cable	Dimensions		
	Ø	V	HP	kW	[A]	Inch	Kg	M	H	H1	S
KX1-03M-32	1	220-240	0.33	0.25	2.1-1.9	1-1/4"	5.4	10	274	231	10
KX1-03MA-32	1	220-240	0.33	0.25	2.1-1.9	1-1/4"	5.7	10	274	231	10
KX1-03MS-32	1	220-240	0.33	0.25	2.1-1.9	1-1/4"	5.8	10	274	231	10
KX1-03T-32*	3	220-240	0.33	0.25	1.5-1.3	1-1/4"	5.4	10	274	231	10
KX1-03T-32*	3	380-415	0.33	0.25	0.9-0.7	1-1/4"	5.4	10	274	231	10

3-phase models use cable type H05RN-F.



See more at www.klee.dk

Retailer:

Brd. Klee A/S

Gadagervej 11
2620 Albertslund
Tel 43 86 83 33
Fax 43 86 83 88
klee@klee.dk
www.klee.dk