



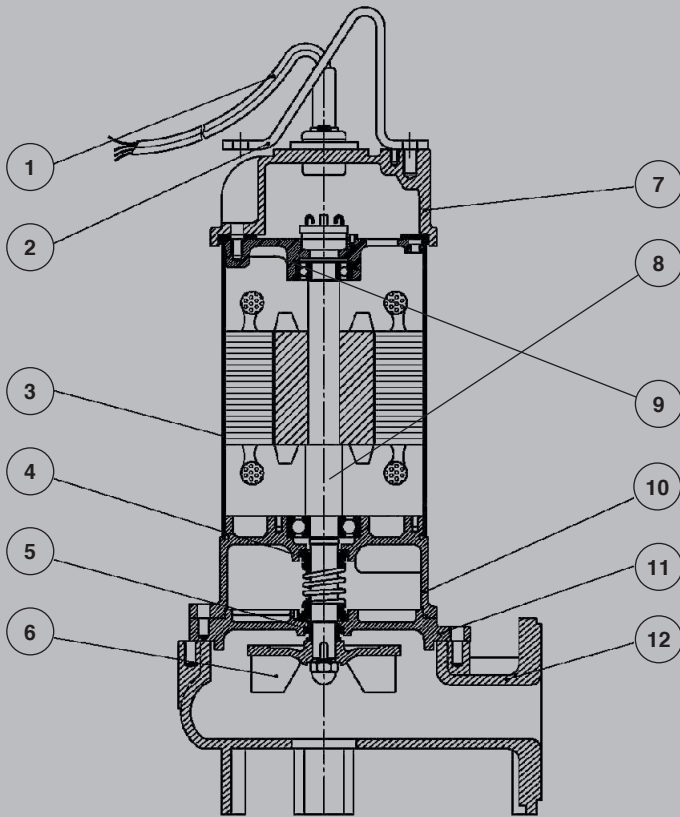
KLEEpump

VPS series

KLEEpump VPS is a high-quality stainless steel, versatile and reliable drainage and dewatering pump. The free-flow impeller ensures good free passage, which makes the pump usable in many places.

The KLEEpump series is our own high-quality brand, and has been developed and tested in collaboration with our manufacturer.

See more at www.klee.dk for our selection of drain and sewage pumps.



Components

- | |
|---|
| 1. Cable (H07RN-F) |
| 2. Handle (AISI 304)(P66 model 0,4kW) |
| 3. Motor Cover (AISI 304) |
| 4. Gasket (shaft seal) (SIC/SIC) |
| 5. Oli seal (FKM/VITON) |
| 6. Vortex impeller (Stainless AISI 316) |
| 7. Top cover (Stainless AISI 316) |
| 8. Shaft (Stainless AISI 316) |
| 9. Cover (FC200) |
| 10. Oli house (Stainless AISI 316) |
| 11. Seal housing (Stainless AISI 316) |
| 12. Pump house (Stainless AISI 316) |



Model codes

- VPS:** Name of series
S: 1-phase (standard 1x230V)
T: 3-phase (standard 3x400V)
SA: Swimming switch

Motor data (VPS)

- Motor power: 0,4-5,5 kW
- Frequency: 50Hz
- Nominal Speed: 2900 rpm
- Protection Device:
Thermal Protector (1-phase)

Pump data (VPS)

- Impeller: Open Impeller
- Shaft Seal/Mechanical:
Double Seals
- Bearing: Closed Ball Bearing.

Operation Conditions

Fluid Temperature:
0 to 40°C.

Applications

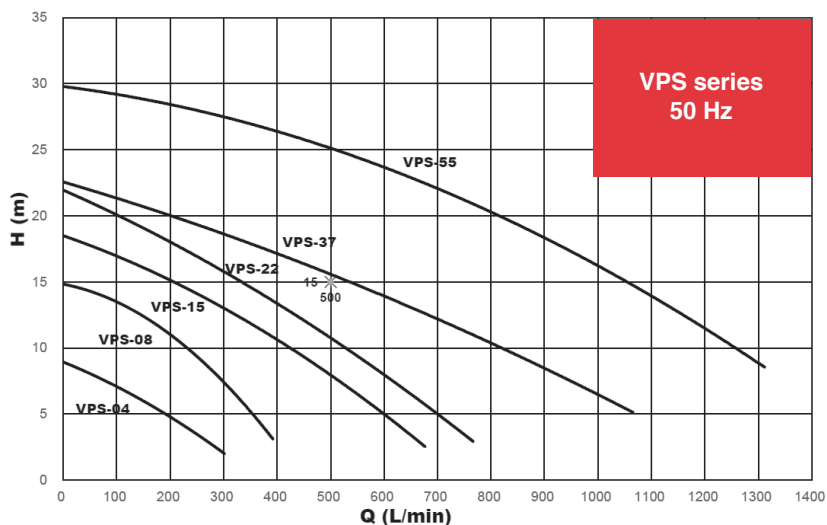
- Light waste water
- Drainage in e.g. parking garages
- Discharge of surface water
- Drainage of groundwater
- Liquids with a pH value from 3 to 11

Features

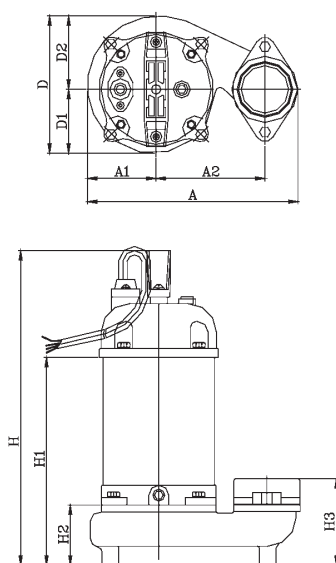
- Cables (10 m with Danish plug on 1-phase models)
- Vortex impeller
- Switches (0,4-1,5 kW with automatics as an option)
- Double mechanical Ca/Ce shaft seal (mounted in the oil chamber)
- Flanges and connections, etc.
- Pump houses.



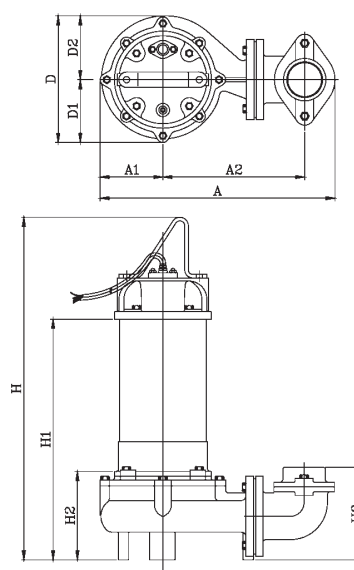
KLEEpump - VPS series



VPS (0,4-0,75 kW)



VPS (1,5-5,5 kW)



Technical data

Discharge [mm]	Model	Version	Power [kW]	Current		Dimensions [mm]							Weight Kg
				V	A	A1	A2	D	H	H1	H2	H3	
50 (2")	VPS-50-04	S/SA/T	0,4	1x230/3x400	222	73	115	145	410	297	113	133	13
	VPS-50-08	S/SA/T	0,75	1x230/3x400	222	73	115	149	464	340	113	133	18
	VPS-50-15	S/SA/T	1,5	1x230/3x400	387	103	234	208	548	400	122	153	33
80 (3")	VPS-80-15	T	1,5	3x400	387	103	234	208	548	400	122	153	33
	VPS-80-22	T	2,2	3x400	387	103	234	208	568	420	122	153	34
	VPS-80-37	T	3,7	3x400	459	110	256	227	633	468	160	220	56
	VPS-80-55	T	5,5	3x400	459	110	256	227	673	508	160	220	62

S= 1-phase / SA= 1-phase with automatics / T= 3-phase.



See more at www.klee.dk

Retailer:

Brd. Klee A/S

Gadagervej 11
2620 Albertslund
Tel 43 86 83 33
Fax 43 86 83 88
klee@klee.dk
www.klee.dk